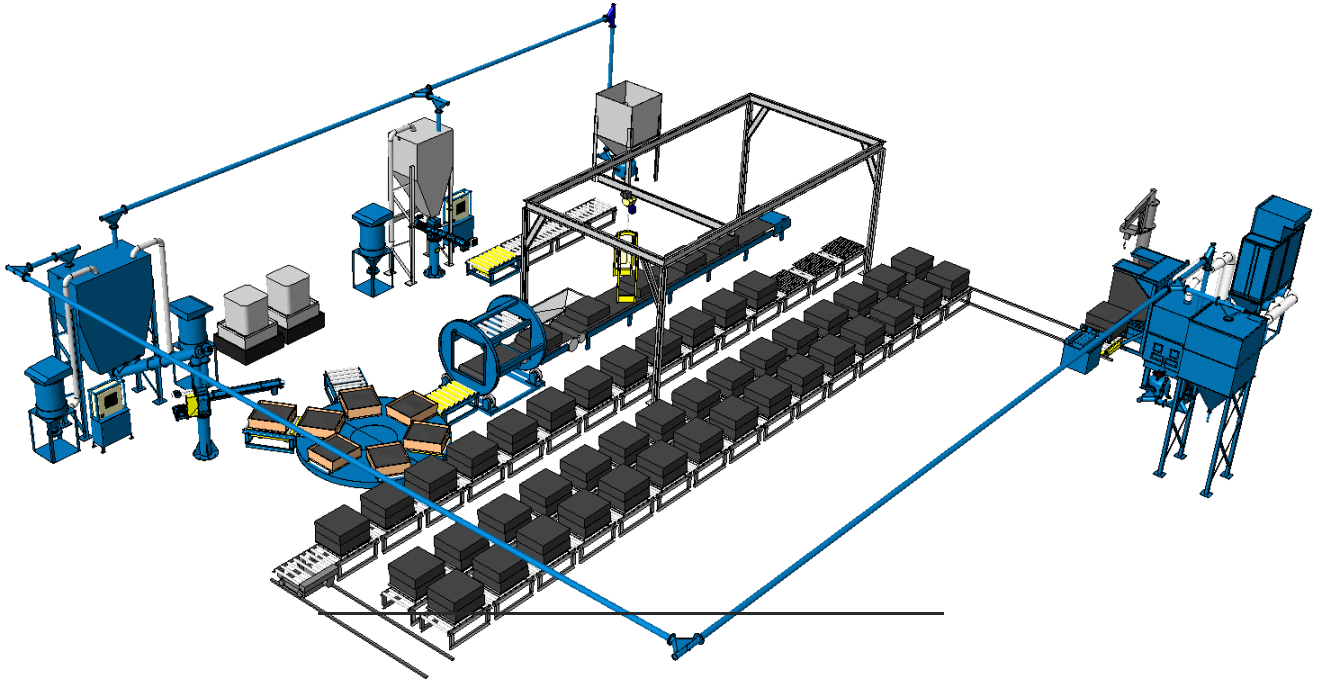




# PRODUCT RANGE

The Foundry Machinery Specialists



BRITISH MADE EQUIPMENT FOR THE FOUNDRY INDUSTRY  
WORLDWIDE FOR MORE THAN 30 YEARS

SIAPRO d.o.o.  
Postaja 9, 5216 Most na Soči  
EU - Slovenia

T: 00386 (0)5 384 16 32  
F: 00386 (0)5 384 16 30  
E: [info@siapro.si](mailto:info@siapro.si)

- 
1. Sand Mixing
  2. Mould Handling
  3. Core Making
  4. Casting & Cooling
  5. Sand Reclamation
  6. Storage / Distribution
  7. Ancillary Items

[www.siapro.eu](http://www.siapro.eu)

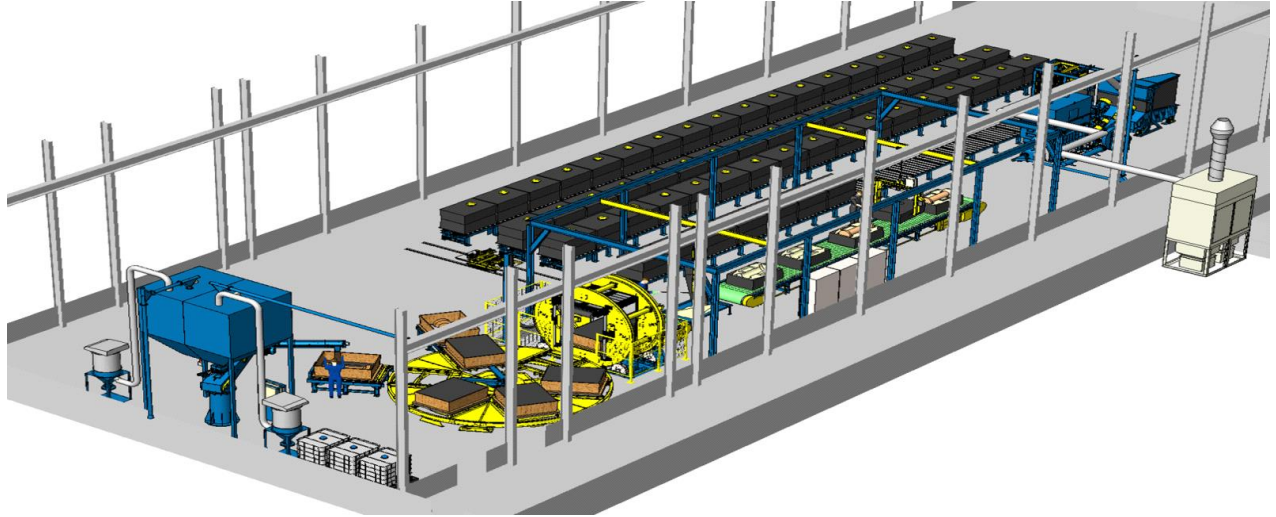
[info@siapro.si](mailto:info@siapro.si)





# PRODUCT RANGE

The Foundry Machinery Specialists



SIAPRO DESIGN ENGINEERS  
DEVELOPMENT  
EQUIPMENT SUPPLY AND  
INTEGRATION  
SIAPRO MAINTENANCE  
SPECIALISTS



SIAPRO d.o.o.  
Postaja 9, 5216 Most na Soči  
EU - Slovenia

T: 00386 (0)5 384 16 32  
F: 00386 (0)5 384 16 30  
E: [info@siapro.si](mailto:info@siapro.si)



[www.siapro.eu](http://www.siapro.eu)

[info@siapro.si](mailto:info@siapro.si)

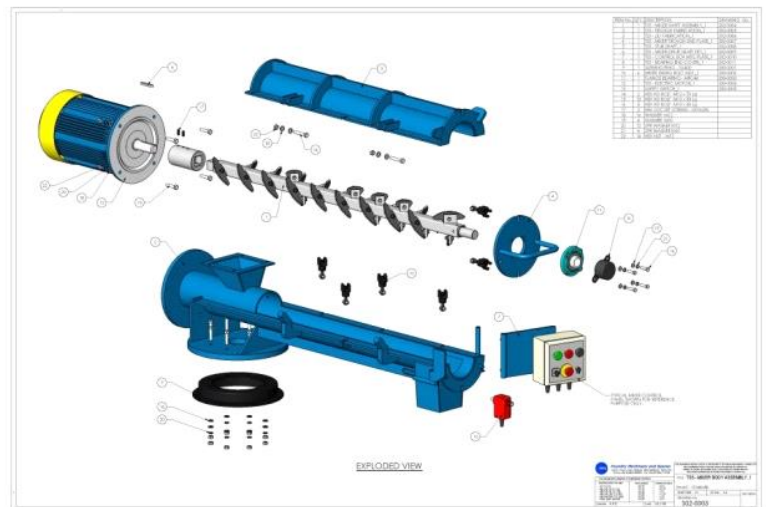
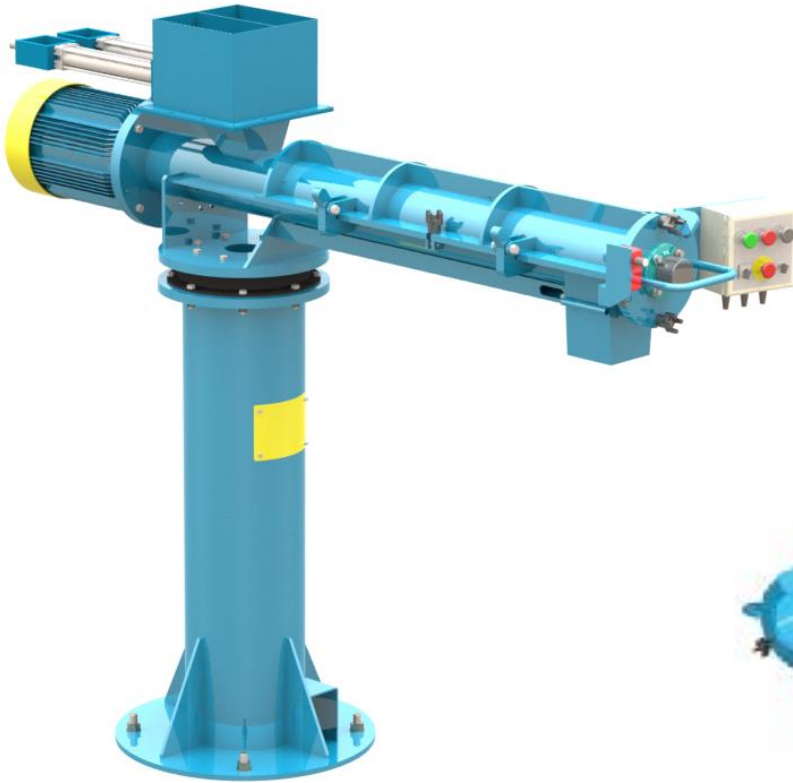




# Single Arm Mixers

The Foundry Machinery Specialists

Sand Mixing



SIAPRO d.o.o.  
Postaja 9, 5216 Most na Soči  
EU - Slovenia

T: 00386 (0)5 384 16 32  
F: 00386 (0)5 384 16 30  
E: info@siapro.si

[www.siapro.eu](http://www.siapro.eu)

[info@siapro.si](mailto:info@siapro.si)

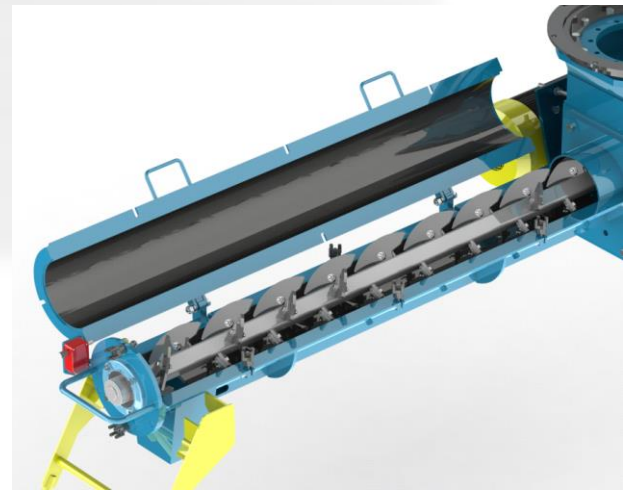




# Articulated – Screw Type

The Foundry Machinery Specialists

Sand Mixing



SIAPRO d.o.o.  
Postaja 9, 5216 Most na Soči  
EU - Slovenia

T: 00386 (0)5 384 16 32  
F: 00386 (0)5 384 16 30  
E: info@siapro.si



[www.siapro.eu](http://www.siapro.eu)

[info@siapro.si](mailto:info@siapro.si)





# Articulated – Belt Type

The Foundry Machinery Specialists

Sand Mixing



SIAPRO d.o.o.  
Postaja 9, 5216 Most na Soči  
EU - Slovenia

T: 00386 (0)5 384 16 32  
F: 00386 (0)5 384 16 30  
E: info@siapro.si

[www.siapro.eu](http://www.siapro.eu)

[info@siapro.si](mailto:info@siapro.si)

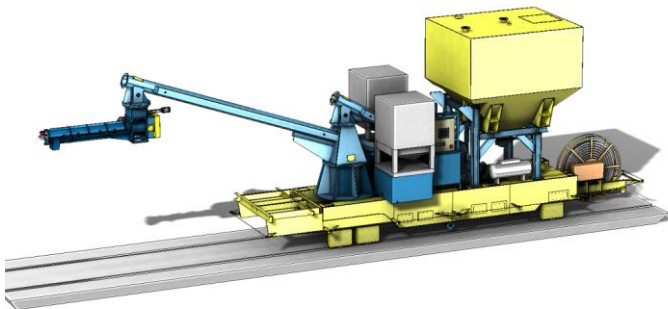
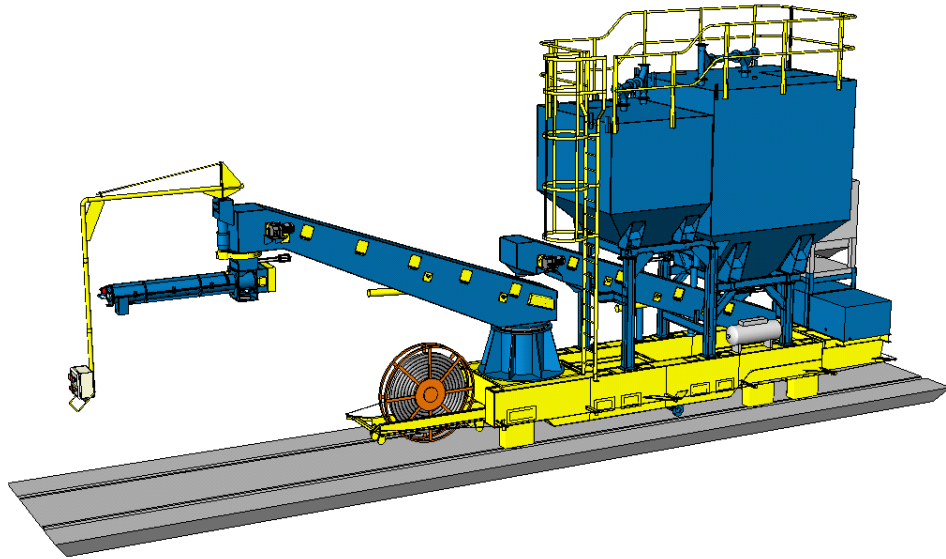




# Mobile Mixers

The Foundry Machinery Specialists

Sand Mixing



SIAPRO d.o.o.  
Postaja 9, 5216 Most na Soči  
EU - Slovenia

T: 00386 (0)5 384 16 32  
F: 00386 (0)5 384 16 30  
E: info@siapro.si

[www.siapro.eu](http://www.siapro.eu)

[info@siapro.si](mailto:info@siapro.si)

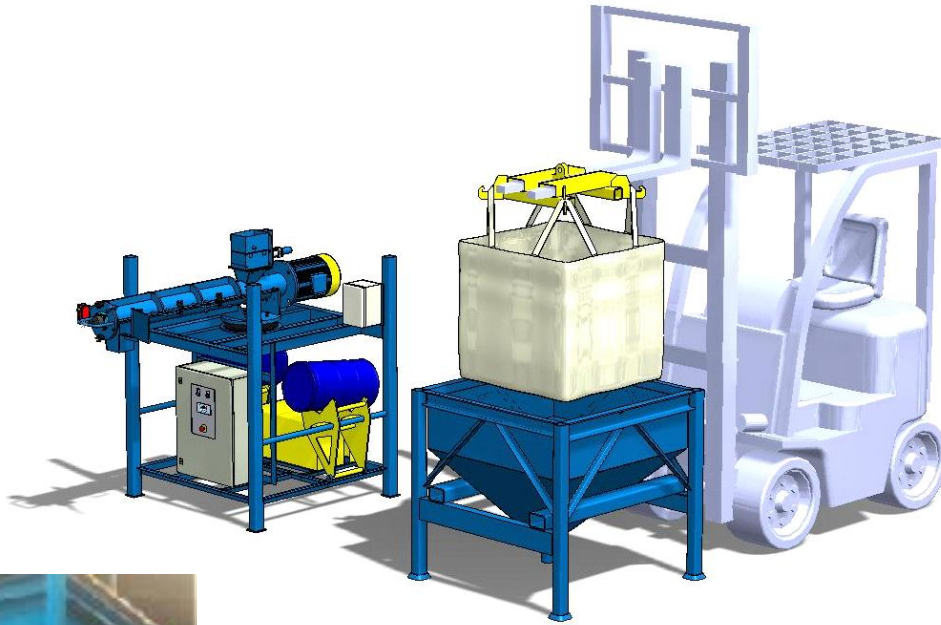




# Portable Mixers

The Foundry Machinery Specialists

Sand Mixing



SIAPRO d.o.o.  
Postaja 9, 5216 Most na Soči  
EU - Slovenia

T: 00386 (0)5 384 16 32  
F: 00386 (0)5 384 16 30  
E: info@siapro.si

[www.siapro.eu](http://www.siapro.eu)

[info@siapro.si](mailto:info@siapro.si)

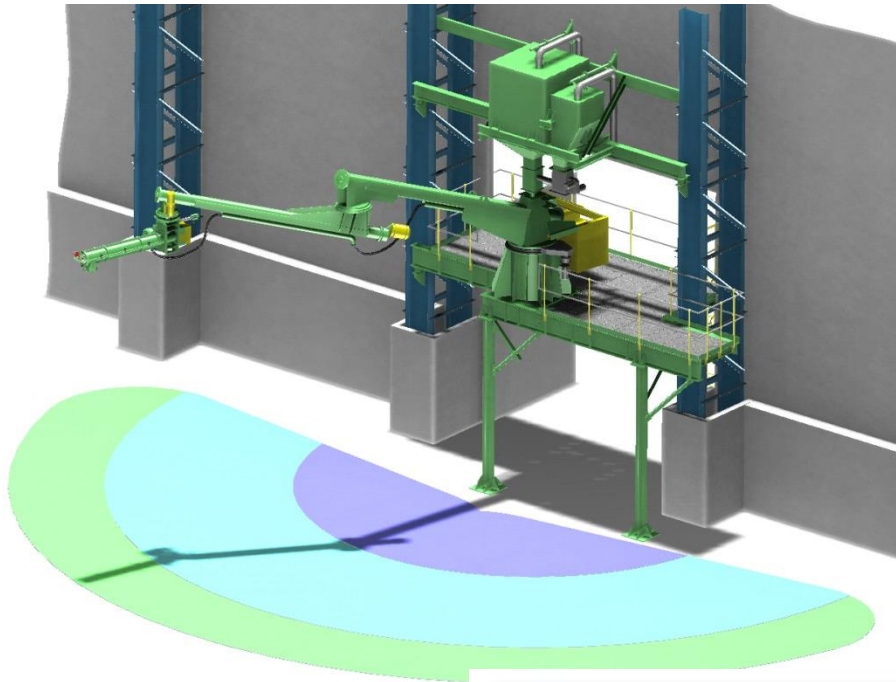




# Bespoke Mixers

The Foundry Machinery Specialists

Sand Mixing



SIAPRO d.o.o.  
Postaja 9, 5216 Most na Soči  
EU - Slovenia

T: 00386 (0)5 384 16 32  
F: 00386 (0)5 384 16 30  
E: [info@siapro.si](mailto:info@siapro.si)

[www.siapro.eu](http://www.siapro.eu)

[info@siapro.si](mailto:info@siapro.si)



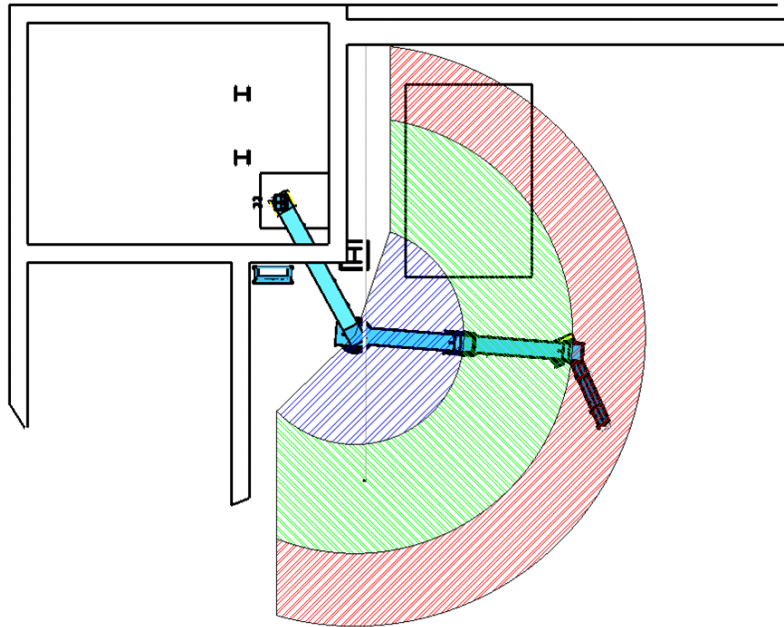




# Bespoke Mixers

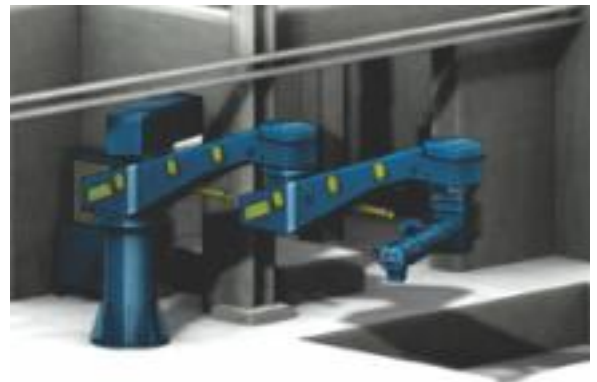
The Foundry Machinery Specialists

Sand Mixing



SIAPRO d.o.o.  
Postaja 9, 5216 Most na Soči  
EU - Slovenia

T: 00386 (0)5 384 16 32  
F: 00386 (0)5 384 16 30  
E: info@siapro.si





# Bespoke Mixers

The Foundry Machinery Specialists



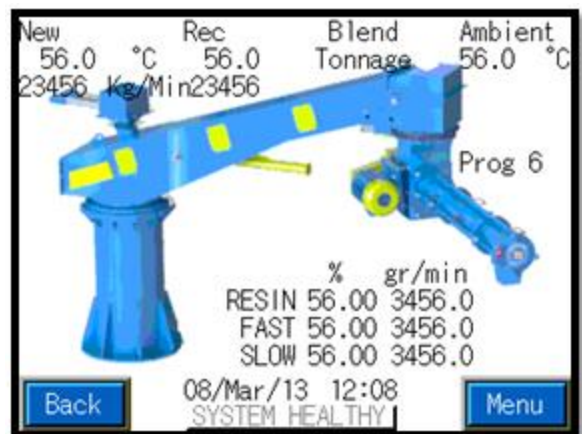
FMS Manufacture PLC Full colour HMI touchscreen mixer control with the very latest in Mitsubishi controls.

Two standard systems are available As follows:-

ICS 'Intelligent Control System' & IBS 'Intelligent Blending System'.

SIAPRO d.o.o.  
Postaja 9, 5216 Most na Soči  
EU - Slovenia

T: 00386 (0)5 384 16 32  
F: 00386 (0)5 384 16 30  
E: info@siapro.si





# Mixers TECHNICAL DATA

The Foundry Machinery Specialists

MODEL	*NOMINAL CAPACITY* (Tonnes/Hr)	SINGLE ARM	ARTICULATED SCREW CONVEYOR	ARTICULATED BELT CONVEYOR	MIXER (SAND IN/OUT)	PRIMARY ARM (SAND IN/OUT)	DRIVE (KW)
<b>TS2</b>	1 to 2	YES	----	----	735mm	----	2.2kw
<b>TS5</b>	3 to 5	YES	----	----	1250mm	----	4kw
<b>TS10</b>	6 to 10	YES	----	----	1500mm 1750mm 2000mm	----	7.5kw
<b>TS15</b>	10 to 15	YES	----	----	2000mm	----	11kw
<b>TS20</b>	12 to 20	YES	----	----	2000mm	----	15kw
<b>TS30</b>	20 to 30	YES	----	----	2000mm	----	18.5kw
<b>TS40</b>	30 to 40	YES	----	----	2000mm	----	22kw

We reserve the right to alter specifications and design subject to future modifications and development

SIAPRO d.o.o.  
Postaja 9, 5216 Most na Soči  
EU - Slovenia

T: 00386 (0)5 384 16 32  
F: 00386 (0)5 384 16 30  
E: info@siapro.si





# Mixers TECHNICAL DATA

The Foundry Machinery Specialists

MODEL	*NOMINAL CAPACITY* (Tonnes/Hr)	SINGLE ARM	ARTICULATED SCREW CONVEYOR	ARTICULATED BELT CONVEYOR	MIXER (SAND IN/OUT)	PRIMARY ARM (SAND IN/OUT)	DRIVE (KW)
<b>TA55C</b>	3 to 5	----	YES		1250mm	----	4kw
<b>TA105C</b>	6 to 10	----	YES	----	1500mm 1750mm 2000mm	3000mm 4000mm 5000mm	7.5kw
<b>TA155C</b>	10 to 15	----	YES	----	2000mm	3000mm 4000mm 5000mm 6000mm 7000mm	11kw
<b>TA205C</b>	12 to 20	----	YES	----	2000mm	3000mm 4000mm 5000mm 6000mm 7000mm	15kw
<b>TA305C</b>	20 to 30	----	YES	----	2000mm	3000mm 4000mm 5000mm 6000mm 7000mm	18.5kw
<b>TA405C</b>	30 to 40	----	YES	----	2000mm	3000mm 4000mm 5000mm 6000mm 7000mm	22kw
<b>TA605C</b>	40 to 60	----	YES	----	2000mm	3000mm 4000mm 5000mm 6000mm 7000mm	30kw

SIAPRO d.o.o.  
Postaja 9, 5216 Most na Soči  
EU - Slovenia

T: 00386 (0)5 384 16 32  
F: 00386 (0)5 384 16 30  
E: info@siapro.si





# Mixers TECHNICAL DATA

The Foundry Machinery Specialists

MODEL	*NOMINAL CAPACITY* (Tonnes/Hr)	SINGLE ARM	ARTICULATED SCREW CONVEYOR	ARTICULATED BELT CONVEYOR	MIXER (SAND IN/OUT)	PRIMARY ARM (SAND IN/OUT)	DRIVE (kW)
<b>TA10BC</b>	6 to 10	-----	-----	YES	1500mm 1750mm 2000mm	3000mm 4000mm 5000mm 6000mm 7000mm	7.5kw
<b>TA15BC</b>	10 to 15	-----	-----	YES	2000mm	3000mm 4000mm 5000mm 6000mm 7000mm	11kw
<b>TA20BC</b>	12 to 20	-----	-----	YES	2000mm	3000mm 4000mm 5000mm 6000mm 7000mm	15kw
<b>TA30BC</b>	20 to 30	-----	-----	YES	2000mm	3000mm 4000mm 5000mm 6000mm 7000mm	18.5kw
<b>TA40BC</b>	30 to 40	-----	-----	YES	2000mm	3000mm 4000mm 5000mm 6000mm 7000mm	22kw
<b>TA60BC</b>	40 to 60	-----	-----	YES	2000mm	3000mm 4000mm 5000mm 6000mm 7000mm	30kw

SIAPRO d.o.o.  
Postaja 9, 5216 Most na Soči  
EU - Slovenia

T: 00386 (0)5 384 16 32  
F: 00386 (0)5 384 16 30  
E: info@siapro.si

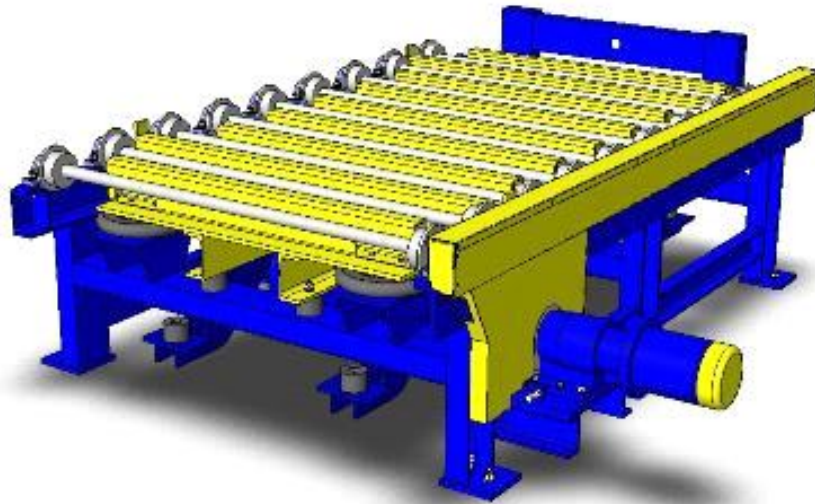




# Compactions Tables

The Foundry Machinery Specialists

Mould Handling



SIAPRO d.o.o.  
Postaja 9, 5216 Most na Soči  
EU - Slovenia

T: 00386 (0)5 384 16 32  
F: 00386 (0)5 384 16 30  
E: info@siapro.si



[www.siapro.eu](http://www.siapro.eu)

[info@siapro.si](mailto:info@siapro.si)





# Bespoke Tables

The Foundry Machinery Specialists



SIAPRO d.o.o.  
Postaja 9, 5216 Most na Soči  
EU - Slovenia

T: 00386 (0)5 384 16 32  
F: 00386 (0)5 384 16 30  
E: info@siapro.si

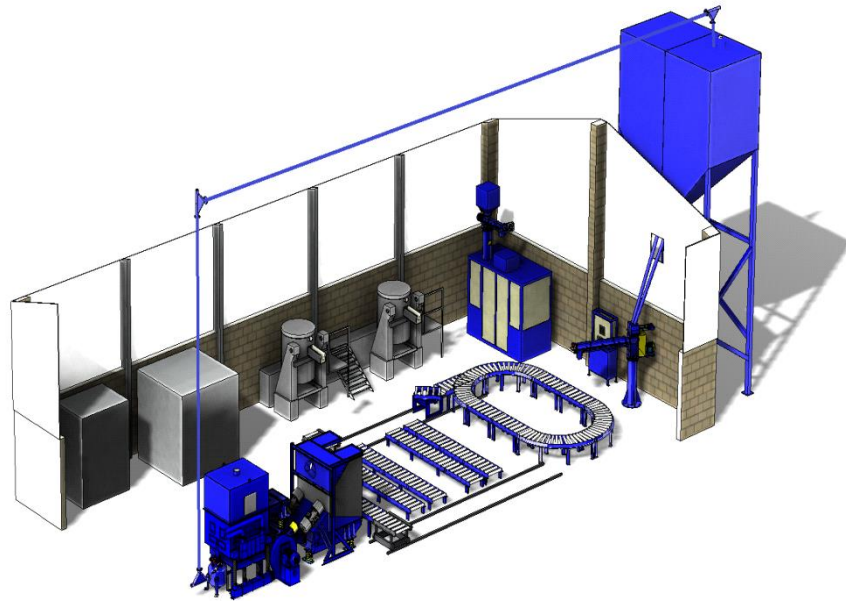




# Manual Systems

The Foundry Machinery Specialists

Mould Handling



SIAPRO d.o.o.  
Postaja 9, 5216 Most na Soči  
EU - Slovenia

T: 00386 (0)5 384 16 32  
F: 00386 (0)5 384 16 30  
E: info@siapro.si



[www.siapro.eu](http://www.siapro.eu)

[info@siapro.si](mailto:info@siapro.si)

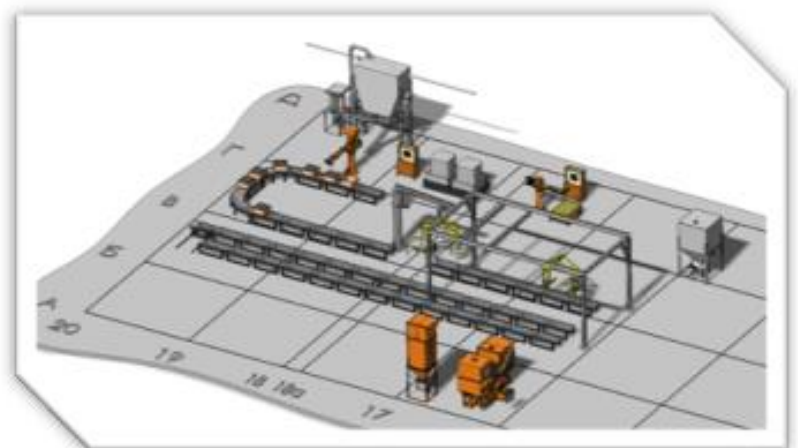
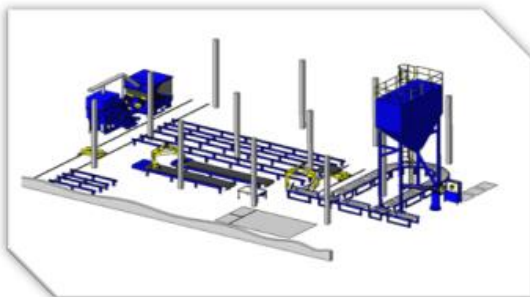
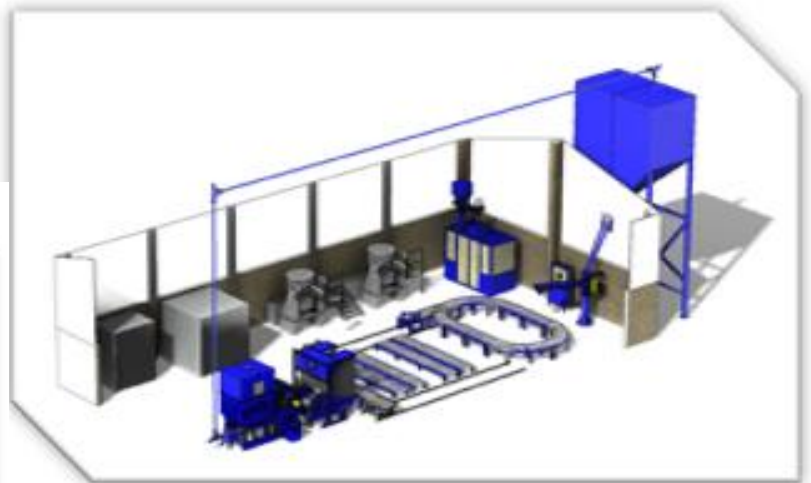
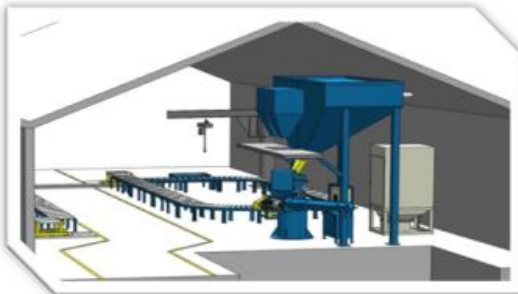






# Manual Examples

The Foundry Machinery Specialists



SIAPRO d.o.o.  
Postaja 9, 5216 Most na Soči  
EU - Slovenia

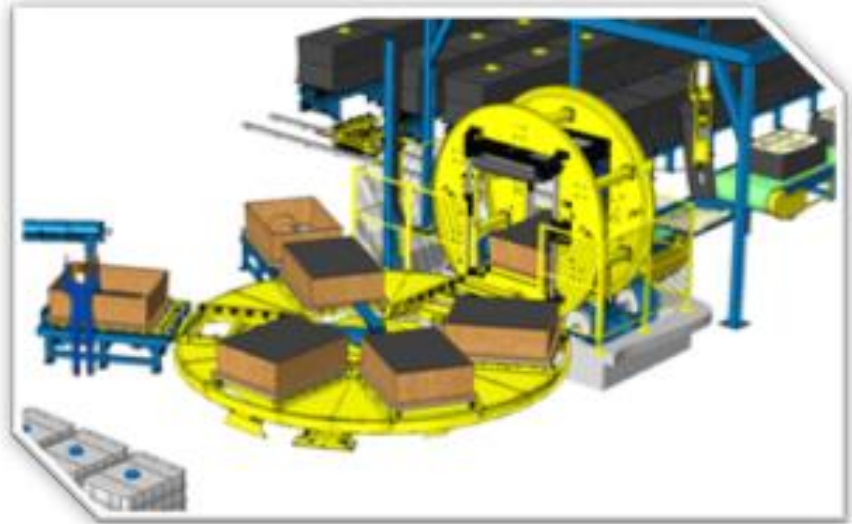
T: 00386 (0)5 384 16 32  
F: 00386 (0)5 384 16 30  
E: info@siapro.si





# Carousel Examples

The Foundry Machinery Specialists



SIAPRO d.o.o.  
Postaja 9, 5216 Most na Soči  
EU - Slovenia

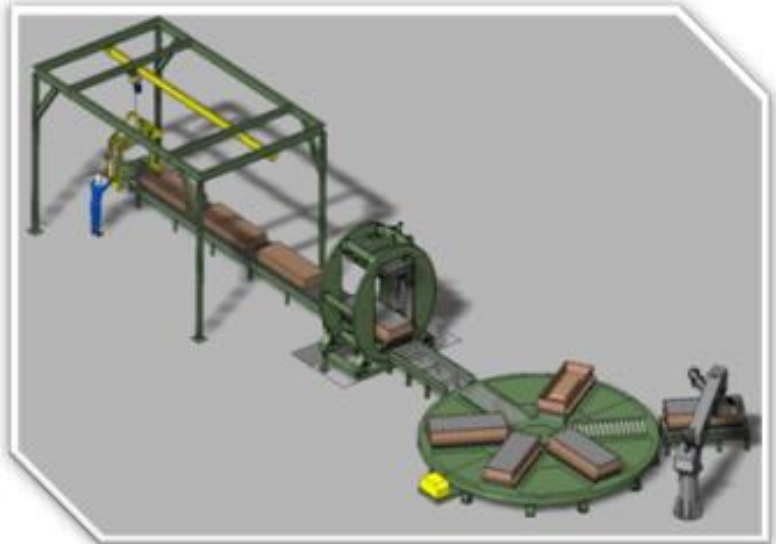
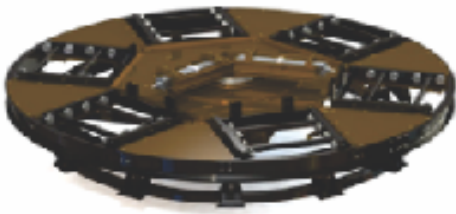
T: 00386 (0)5 384 16 32  
F: 00386 (0)5 384 16 30  
E: info@siapro.si





# Carousel Systems

The Foundry Machinery Specialists



SIAPRO d.o.o.  
Postaja 9, 5216 Most na Soči  
EU - Slovenia

T: 00386 (0)5 384 16 32  
F: 00386 (0)5 384 16 30  
E: info@siapro.si

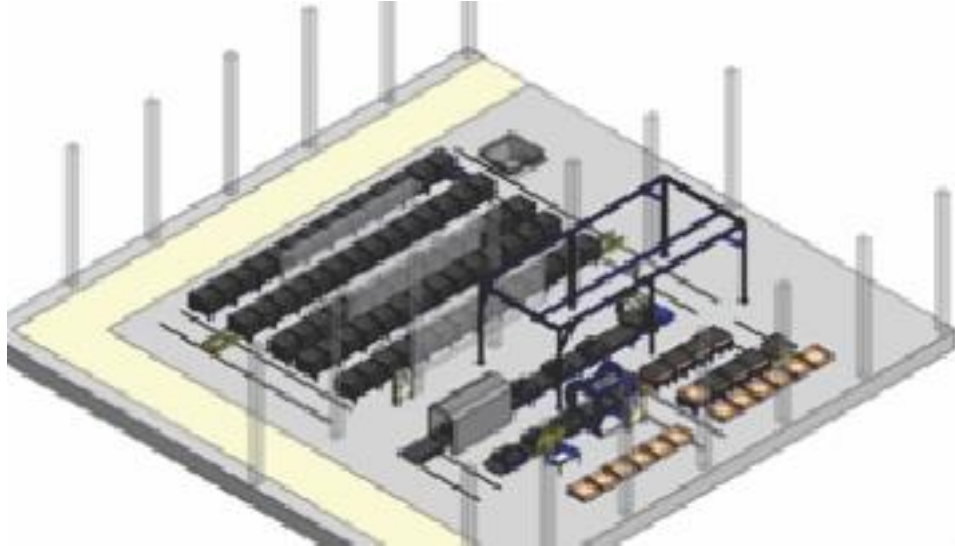




# Fast-Loop Systems

The Foundry Machinery Specialists

Mould Handling



SIAPRO d.o.o.  
Postaja 9, 5216 Most na Soči  
EU - Slovenia

T: 00386 (0)5 384 16 32  
F: 00386 (0)5 384 16 30  
E: [info@siapro.si](mailto:info@siapro.si)

[www.siapro.eu](http://www.siapro.eu)

[info@siapro.si](mailto:info@siapro.si)





# Rollover / Strip Machines

The Foundry Machinery Specialists

Mould Handling



SIAPRO d.o.o.  
Postaja 9, 5216 Most na Soči  
EU - Slovenia

T: 00386 (0)5 384 16 32  
F: 00386 (0)5 384 16 30  
E: info@siapro.si

[www.siapro.eu](http://www.siapro.eu)

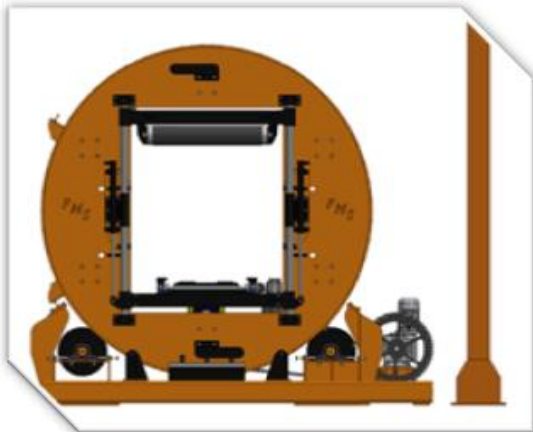
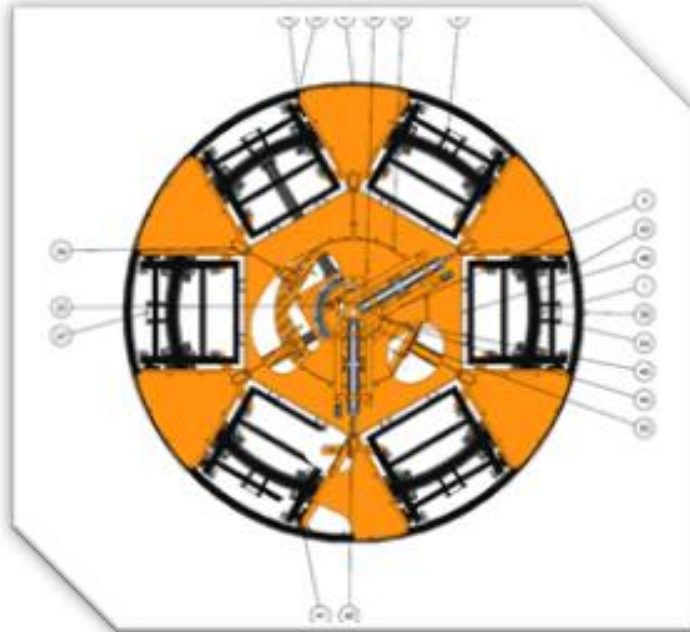
[info@siapro.si](mailto:info@siapro.si)





# Carousell Rollover

The Foundry Machinery Specialists



SIAPRO d.o.o.  
Postaja 9, 5216 Most na Soči  
EU - Slovenia

T: 00386 (0)5 384 16 32  
F: 00386 (0)5 384 16 30  
E: info@siapro.si





# Manipulators

The Foundry Machinery Specialists

Mould Handling



SIAPRO d.o.o.  
Postaja 9, 5216 Most na Soči  
EU - Slovenia

T: 00386 (0)5 384 16 32  
F: 00386 (0)5 384 16 30  
E: info@siapro.si

[www.siapro.eu](http://www.siapro.eu)

[info@siapro.si](mailto:info@siapro.si)

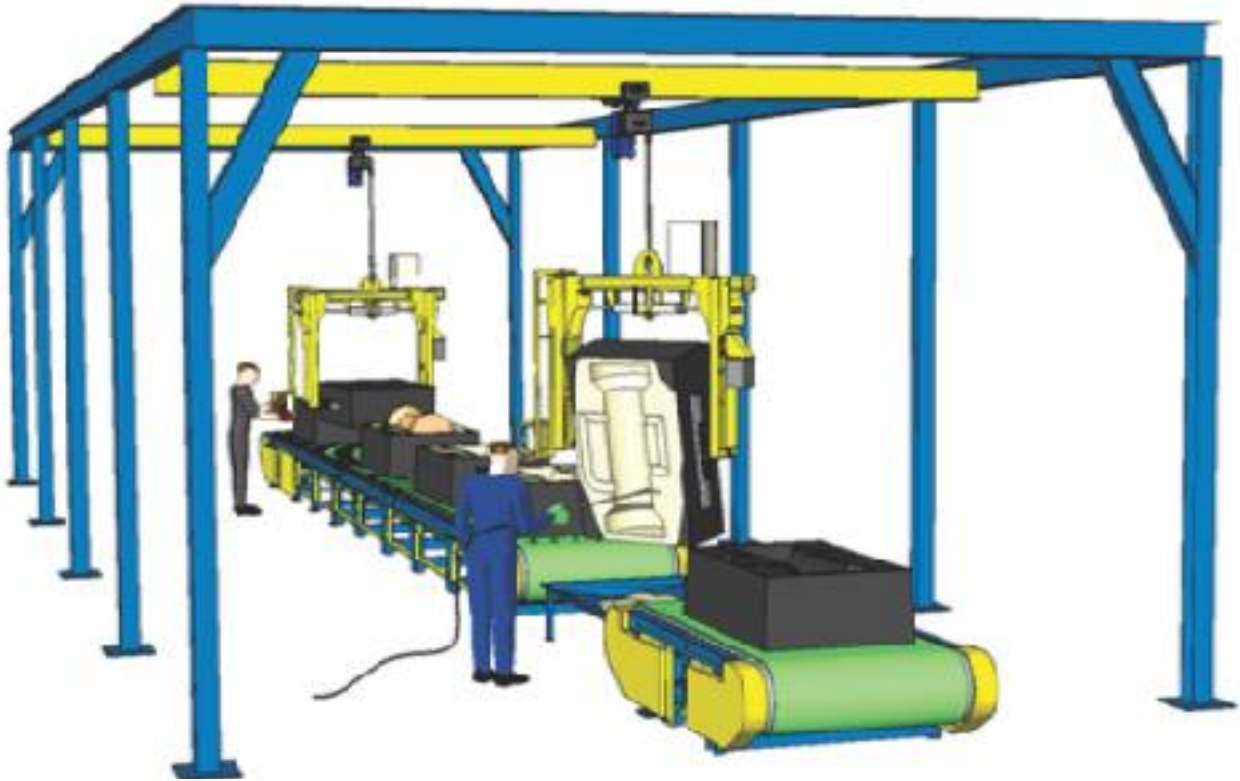




# Manipulators

The Foundry Machinery Specialists

Mould Handling



SIAPRO d.o.o.  
Postaja 9, 5216 Most na Soči  
EU - Slovenia

T: 00386 (0)5 384 16 32  
F: 00386 (0)5 384 16 30  
E: [info@siapro.si](mailto:info@siapro.si)

[www.siapro.eu](http://www.siapro.eu)

[info@siapro.si](mailto:info@siapro.si)







# Mould Closing

The Foundry Machinery Specialists



SIAPRO d.o.o.  
Postaja 9, 5216 Most na Soči  
EU - Slovenia

T: 00386 (0)5 384 16 32  
F: 00386 (0)5 384 16 30  
E: [info@siapro.si](mailto:info@siapro.si)





# Rotomax

The Foundry Machinery Specialists

Mould Handling



SIAPRO d.o.o.  
Postaja 9, 5216 Most na Soči  
EU - Slovenia

T: 00386 (0)5 384 16 32  
F: 00386 (0)5 384 16 30  
E: info@siapro.si



[www.siapro.eu](http://www.siapro.eu)

[info@siapro.si](mailto:info@siapro.si)





# Mould Stripping

The Foundry Machinery Specialists

Mould Handling



SIAPRO d.o.o.  
Postaja 9, 5216 Most na Soči  
EU - Slovenia

T: 00386 (0)5 384 16 32  
F: 00386 (0)5 384 16 30  
E: info@siapro.si

[www.siapro.eu](http://www.siapro.eu)

[info@siapro.si](mailto:info@siapro.si)

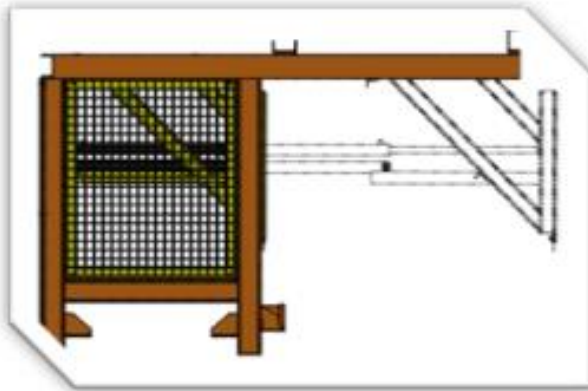




# Wipe off

The Foundry Machinery Specialists

Mould Handling



SIAPRO d.o.o.  
Postaja 9, 5216 Most na Soči  
EU - Slovenia

T: 00386 (0)5 384 16 32  
F: 00386 (0)5 384 16 30  
E: info@siapro.si

[www.siapro.eu](http://www.siapro.eu)

[info@siapro.si](mailto:info@siapro.si)





# Core Machines

The Foundry Machinery Specialists

Core Making



SIAPRO d.o.o.  
Postaja 9, 5216 Most na Soči  
EU - Slovenia

T: 00386 (0)5 384 16 32  
F: 00386 (0)5 384 16 30  
E: info@siapro.si

[www.siapro.eu](http://www.siapro.eu)

[info@siapro.si](mailto:info@siapro.si)





# Core Machines Refubrishment

The Foundry Machinery Specialists

Core Making



SIAPRO d.o.o.  
Postaja 9, 5216 Most na Soči  
EU - Slovenia

T: 00386 (0)5 384 16 32  
F: 00386 (0)5 384 16 30  
E: [info@siapro.si](mailto:info@siapro.si)

[www.siapro.eu](http://www.siapro.eu)

[info@siapro.si](mailto:info@siapro.si)





# Gassing Generators

The Foundry Machinery Specialists

Core Making



SIAPRO d.o.o.  
Postaja 9, 5216 Most na Soči  
EU - Slovenia

T: 00386 (0)5 384 16 32  
F: 00386 (0)5 384 16 30  
E: info@siapro.si

[www.siapro.eu](http://www.siapro.eu)

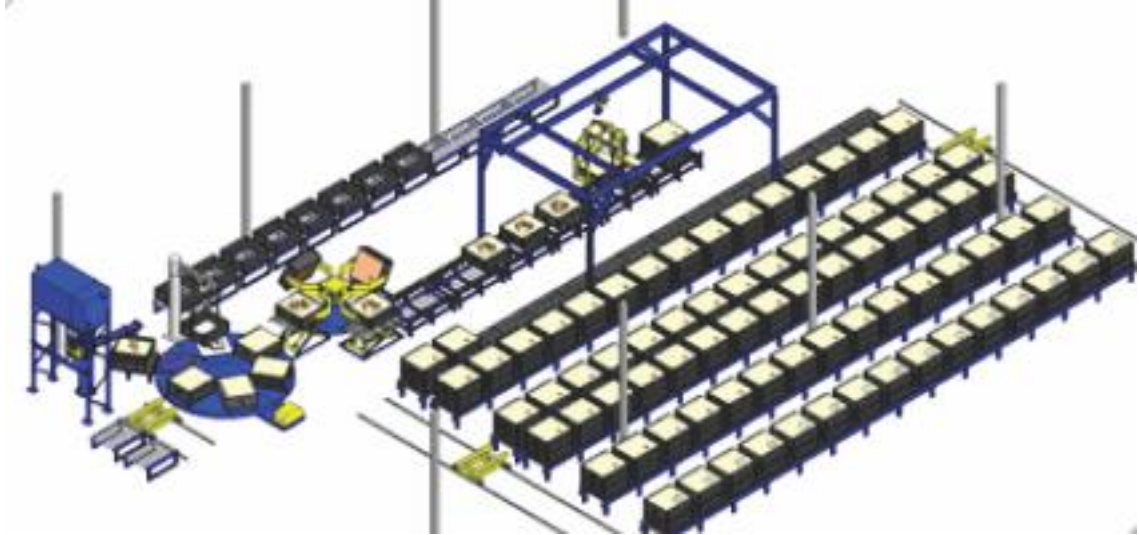
[info@siapro.si](mailto:info@siapro.si)





# Gravity Casting / Cooling

The Foundry Machinery Specialists



SIAPRO d.o.o.  
Postaja 9, 5216 Most na Soči  
EU - Slovenia

T: 00386 (0)5 384 16 32  
F: 00386 (0)5 384 16 30  
E: [info@siapro.si](mailto:info@siapro.si)

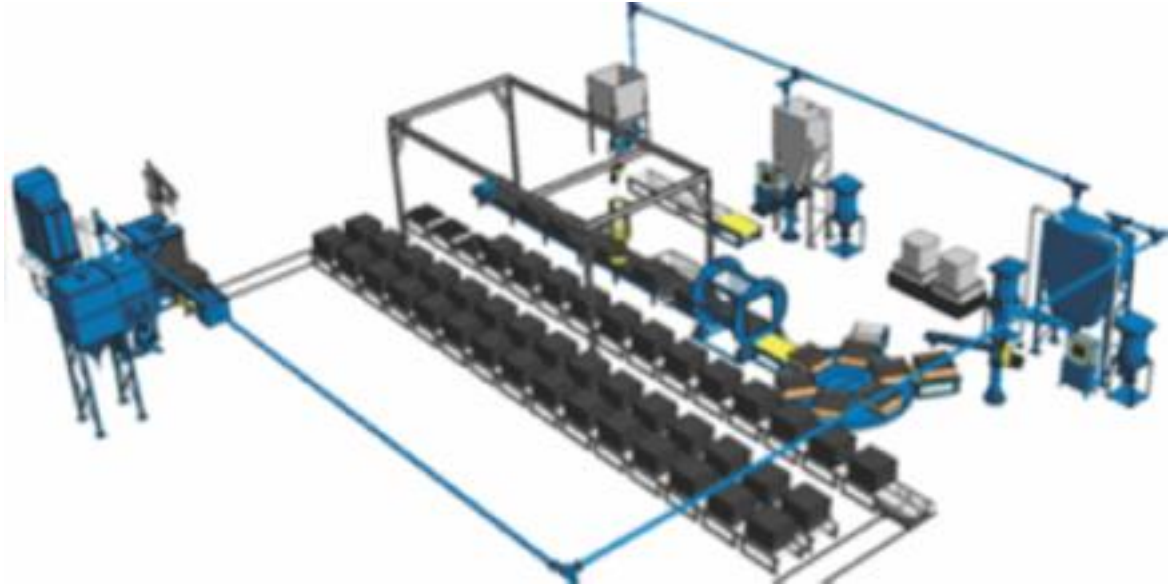






# Gravity Casting / Cooling

The Foundry Machinery Specialists



SIAPRO d.o.o.  
Postaja 9, 5216 Most na Soči  
EU - Slovenia

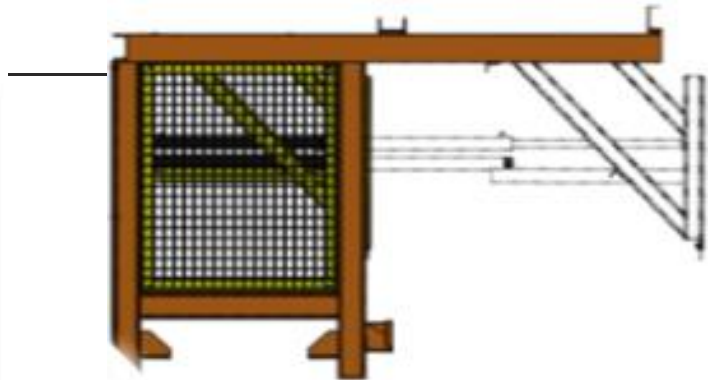
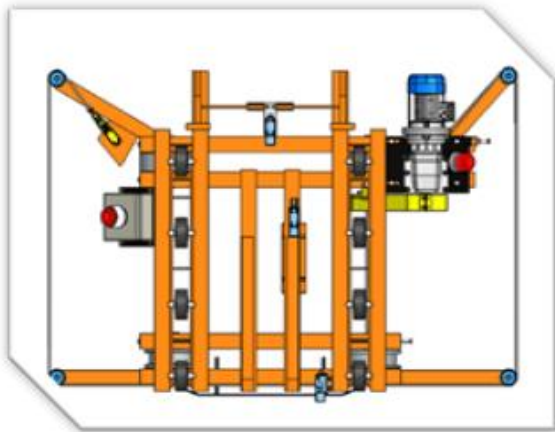
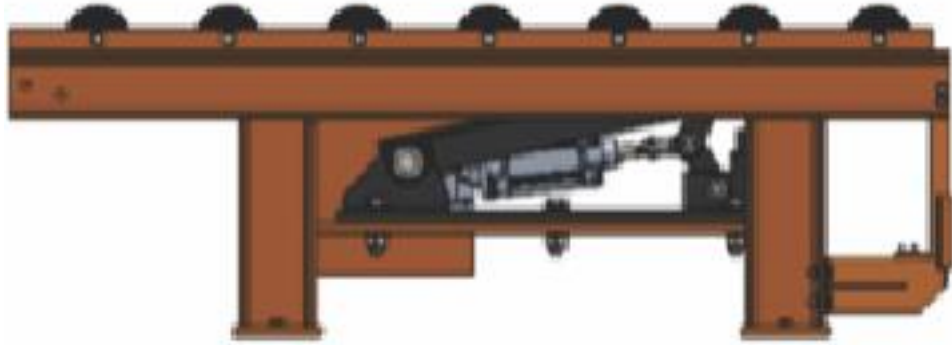
T: 00386 (0)5 384 16 32  
F: 00386 (0)5 384 16 30  
E: info@siapro.si





# Automated Casting / Cooling

The Foundry Machinery Specialists



SIAPRO d.o.o.  
Postaja 9, 5216 Most na Soči  
EU - Slovenia

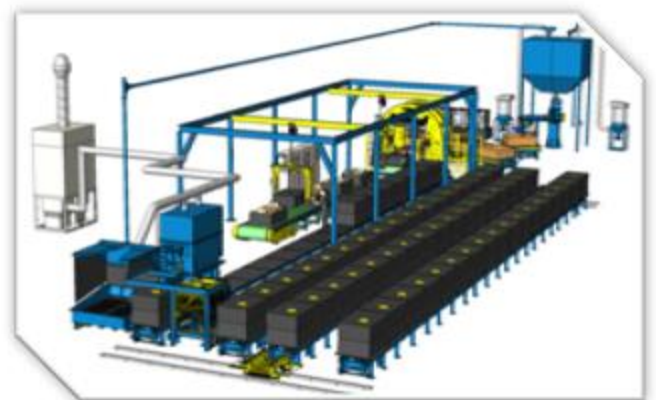
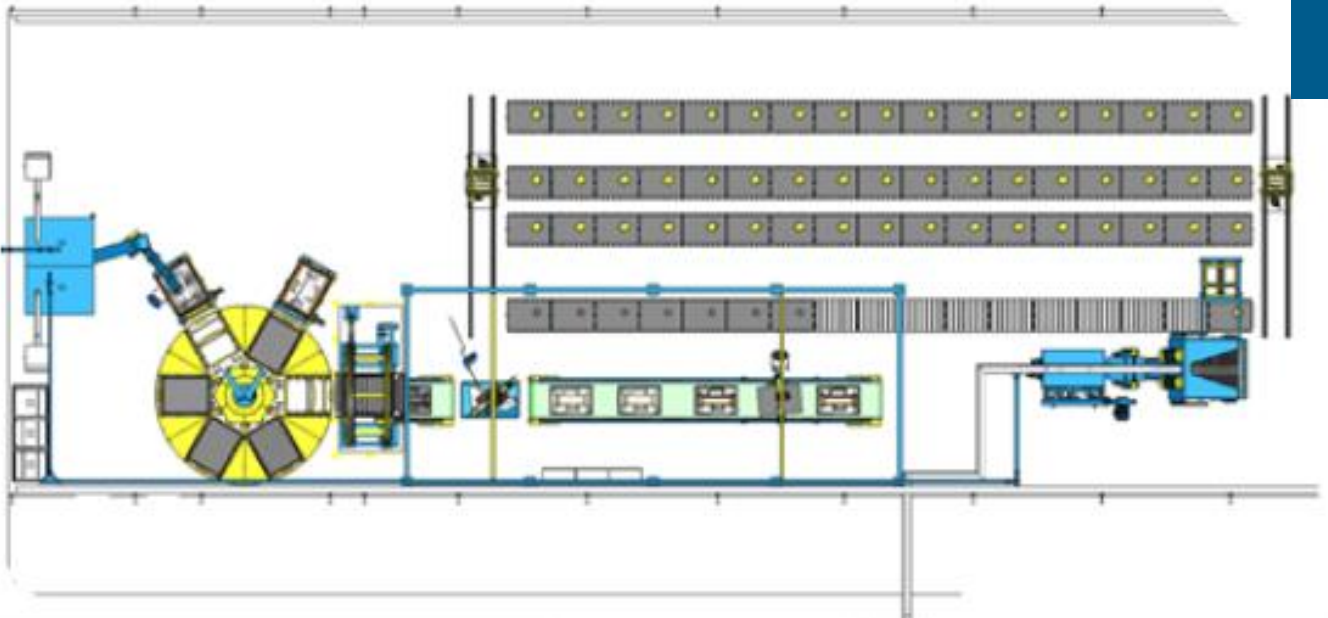
T: 00386 (0)5 384 16 32  
F: 00386 (0)5 384 16 30  
E: info@siapro.si





# Automated Casting / Cooling

The Foundry Machinery Specialists



SIAPRO d.o.o.  
Postaja 9, 5216 Most na Soči  
EU - Slovenia

T: 00386 (0)5 384 16 32  
F: 00386 (0)5 384 16 30  
E: [info@siapro.si](mailto:info@siapro.si)

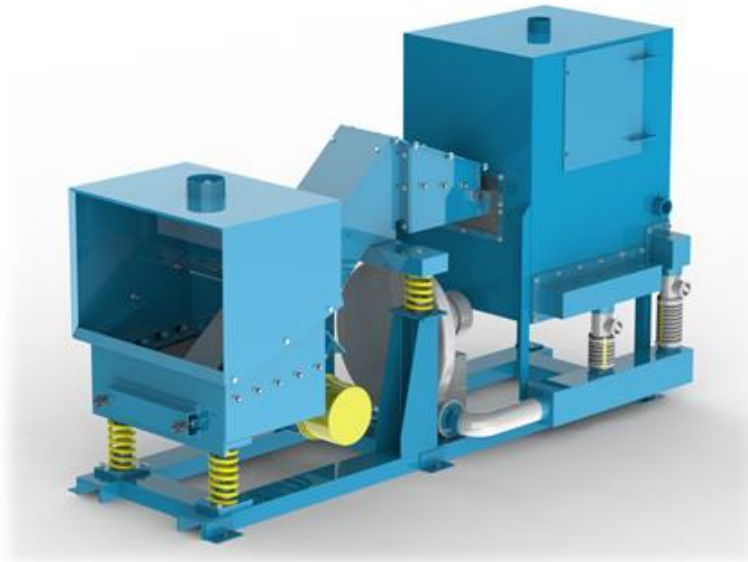




# Compact Reclamation

The Foundry Machinery Specialists

Sand Reclamation



SIAPRO d.o.o.  
Postaja 9, 5216 Most na Soči  
EU - Slovenia

T: 00386 (0)5 384 16 32  
F: 00386 (0)5 384 16 30  
E: info@siapro.si

[www.siapro.eu](http://www.siapro.eu)

[info@siapro.si](mailto:info@siapro.si)





# Compact Sand Reclamation

## TECHNICAL DATA

The Foundry Machinery Specialists

	COMPACT 1	COMPACT 3
NOMINAL OUTPUT (SEE OUTPUT NOTE)	1 TONNE PER HOUR	3 TONNES PER HOUR
DECK SIZE (mm)	900 X 550	1200 X 1200
MAXIMUM DECK LOAD	250-500 KGS	500 – 750 KGS
OVERALL LENGTH (mm) SUBJECT TO EXTRACTOR	4520	6740
OVERALL WIDTH (mm) SUBJECT TO EXTRACTOR	1350	1350

We reserve the right to alter specifications and design subject to future modifications and development

SIAPRO d.o.o.  
Postaja 9, 5216 Most na Soči  
EU - Slovenia

T: 00386 (0)5 384 16 32  
F: 00386 (0)5 384 16 30  
E: info@siapro.si





# Low-level Reclamation

The Foundry Machinery Specialists



SIAPRO d.o.o.  
Postaja 9, 5216 Most na Soči  
EU - Slovenia

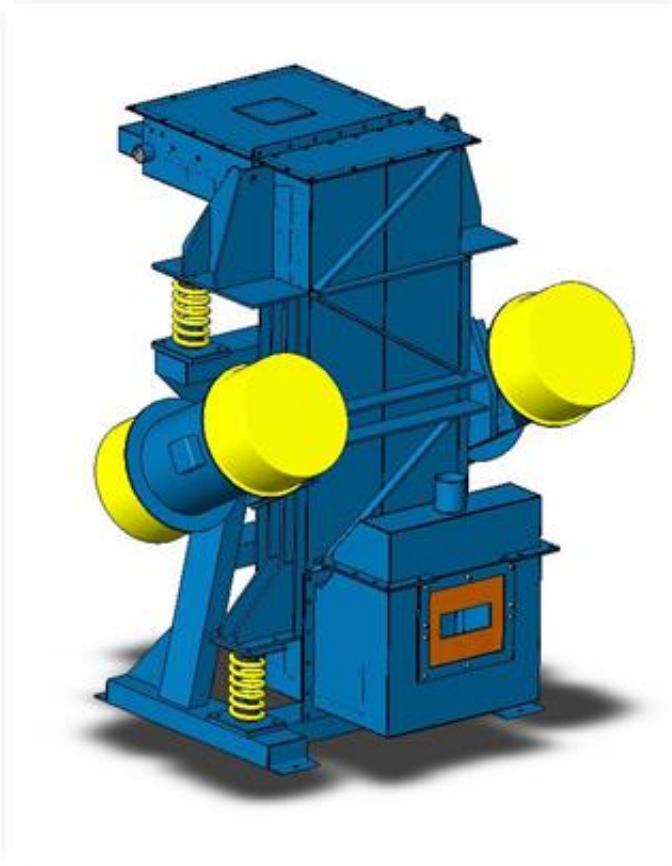
T: 00386 (0)5 384 16 32  
F: 00386 (0)5 384 16 30  
E: info@siapro.si





# Sand Elevators

The Foundry Machinery Specialists



SIAPRO d.o.o.  
Postaja 9, 5216 Most na Soči  
EU - Slovenia

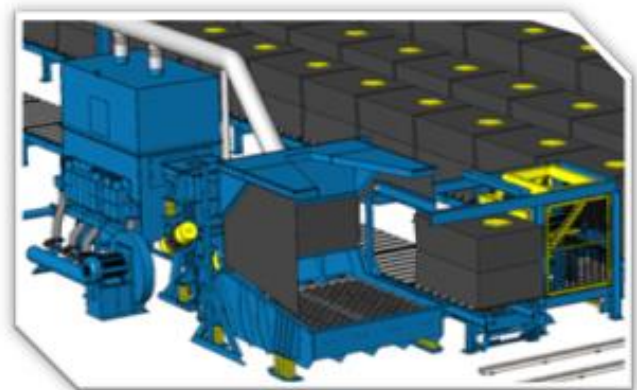
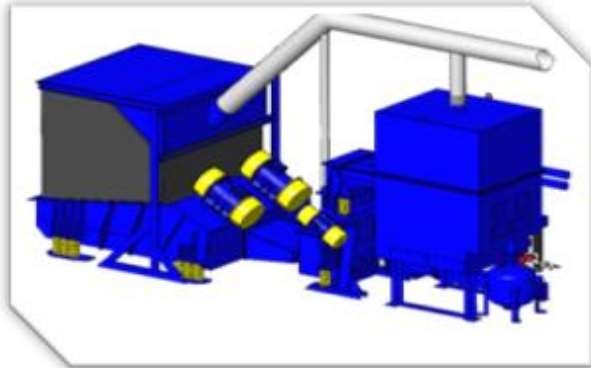
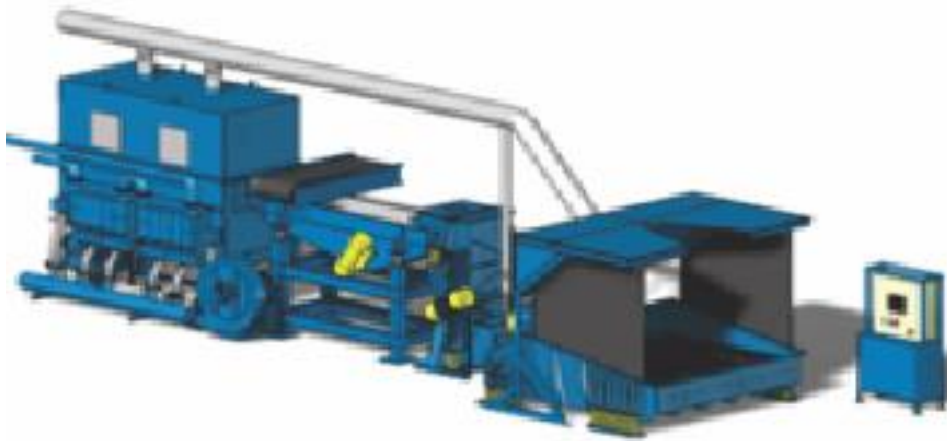
T: 00386 (0)5 384 16 32  
F: 00386 (0)5 384 16 30  
E: info@siapro.si





# Low - Level Examples

The Foundry Machinery Specialists



SIAPRO d.o.o.  
Postaja 9, 5216 Most na Soči  
EU - Slovenia

T: 00386 (0)5 384 16 32  
F: 00386 (0)5 384 16 30  
E: info@siapro.si







# Low - Level Sand Reclamation

## TECHNICAL DATA

The Foundry Machinery Specialists

	YD3	YD6 B	YD6 S	YD9 B	YD9 S
NOMINAL OUTPUT (SEE OUTPUT NOTE)	3 tonnes per hour	6 tonnes per hour	6 tonnes per hour	9 tonnes per hour	9 tonnes per hour
SHAKEOUT SIZE (mm)	1150 X 1000mm	1500 x 1150mm	1500 x 1500mm	1840 x 1600mm	2000 x 2000 mm
MAXIMUM DECK LOAD	500 KG	1000 KG	1000 KG	2000 KG	2000 KG
SHAKEOUT MOTORS ELEVATOR MOTORS	TWO TWO	TWO TWO	TWO TWO	TWO TWO	TWO TWO
MINIMUM EXTRACTION WITH COOLER CLASSIFIER (M <sup>3</sup> /HR)	7000	10000	10000	17000	17000

We reserve the right to alter specifications and design subject to future modifications and development

SIAPRO d.o.o.  
Postaja 9, 5216 Most na Soči  
EU - Slovenia

T: 00386 (0)5 384 16 32  
F: 00386 (0)5 384 16 30  
E: info@siapro.si

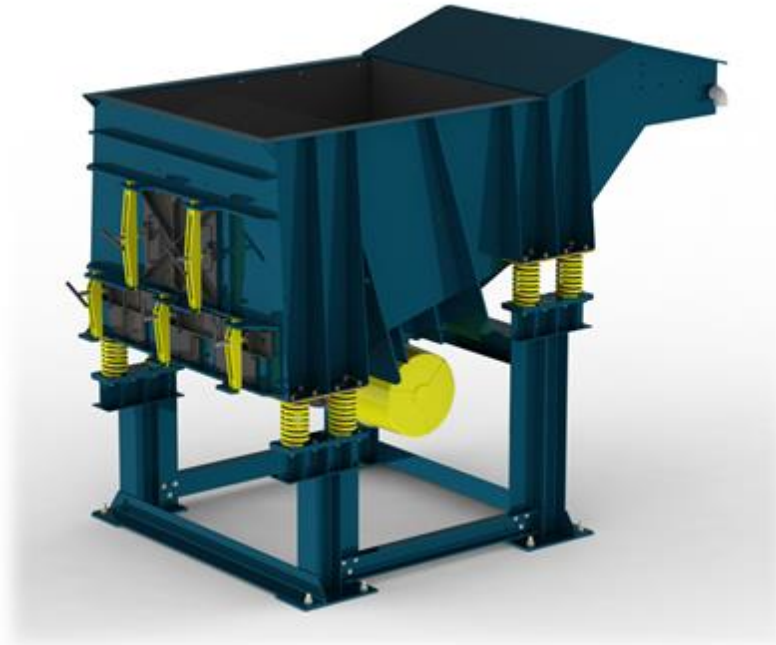




# High - Level Reclamation

The Foundry Machinery Specialists

Sand Reclamation



SIAPRO d.o.o.  
Postaja 9, 5216 Most na Soči  
EU - Slovenia

T: 00386 (0)5 384 16 32  
F: 00386 (0)5 384 16 30  
E: [info@siapro.si](mailto:info@siapro.si)



[www.siapro.eu](http://www.siapro.eu)

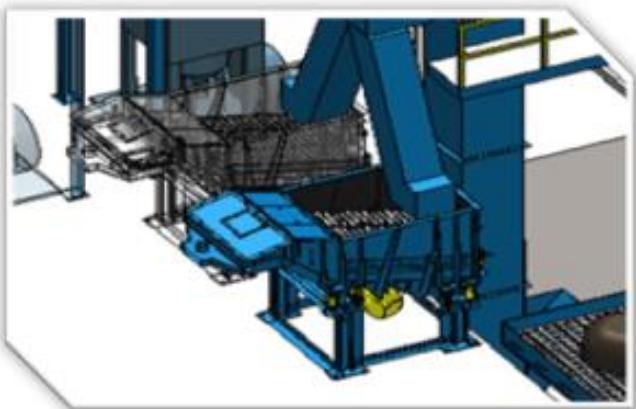
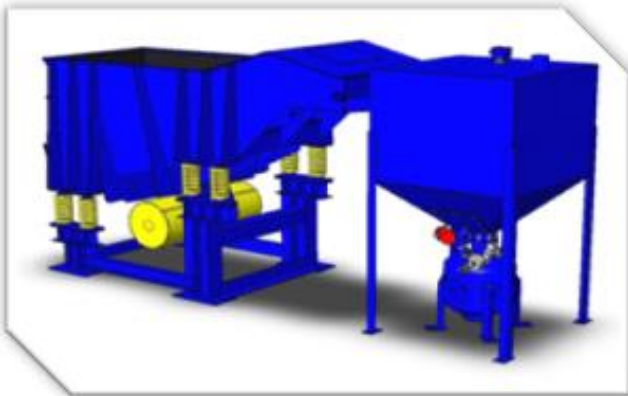
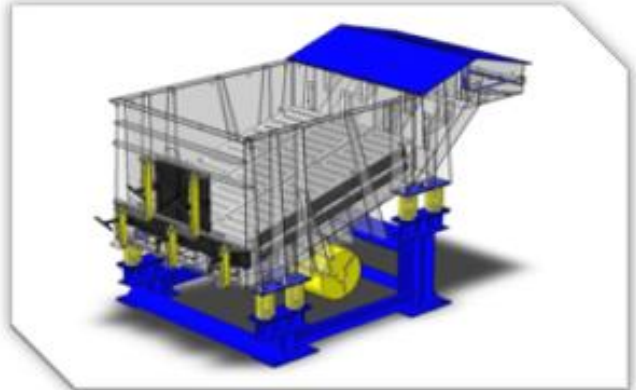
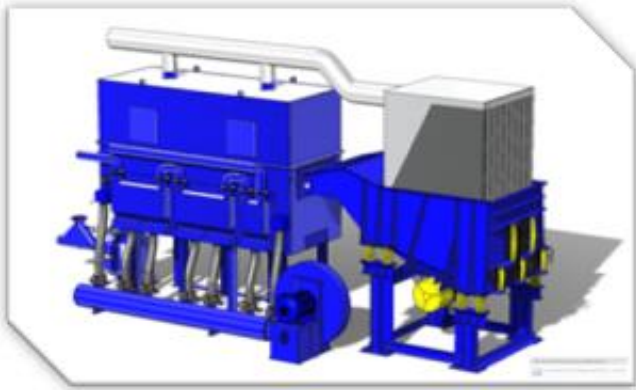
[info@siapro.si](mailto:info@siapro.si)





# High- Level Examples

The Foundry Machinery Specialists



SIAPRO d.o.o.  
Postaja 9, 5216 Most na Soči  
EU - Slovenia

T: 00386 (0)5 384 16 32  
F: 00386 (0)5 384 16 30  
E: info@siapro.si





# High - Level Sand Reclamation

## TECHNICAL DATA

The Foundry Machinery Specialists

	ED5	ED10	ED15
NOMINAL OUTPUT (SEE OUTPUT NOTE)	3-5 TONNES PER HOUR	6-10 TONNES PER HOUR	11-15 TONNES PER HOUR
HOLDING CAPACITY	1000 KGS	1500 KGS	2200 KGS
NUMBER OF VIBRATORY MOTORS	ONE	ONE	ONE

We reserve the right to alter specifications and design subject to future modifications and development

SIAPRO d.o.o.  
Postaja 9, 5216 Most na Soči  
EU - Slovenia

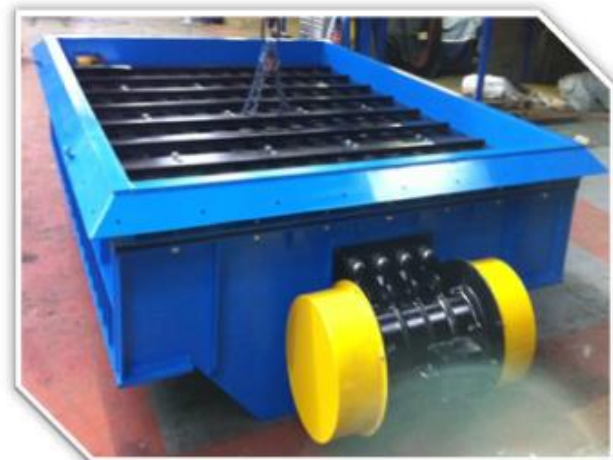
T: 00386 (0)5 384 16 32  
F: 00386 (0)5 384 16 30  
E: info@siapro.si





# Shakeouts

The Foundry Machinery Specialists



SIAPRO d.o.o.  
Postaja 9, 5216 Most na Soči  
EU - Slovenia

T: 00386 (0)5 384 16 32  
F: 00386 (0)5 384 16 30  
E: info@siapro.si





# Sand Classifiers

The Foundry Machinery Specialists



SIAPRO d.o.o.  
Postaja 9, 5216 Most na Soči  
EU - Slovenia

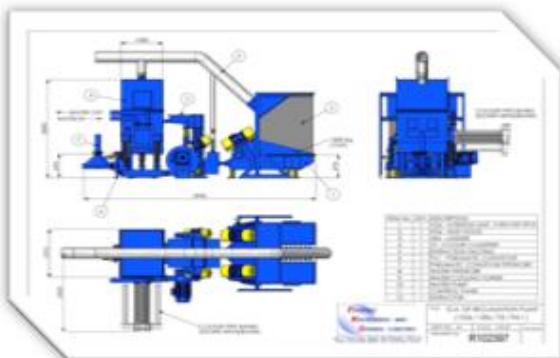
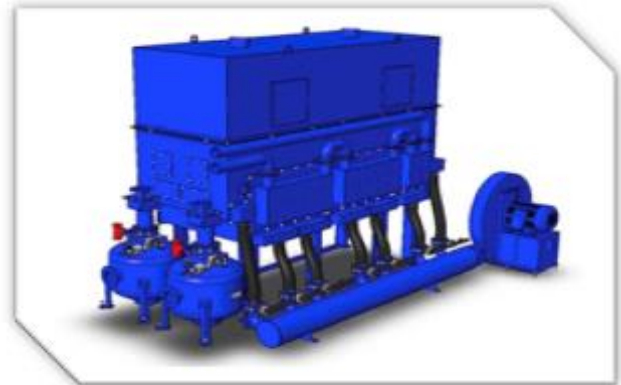
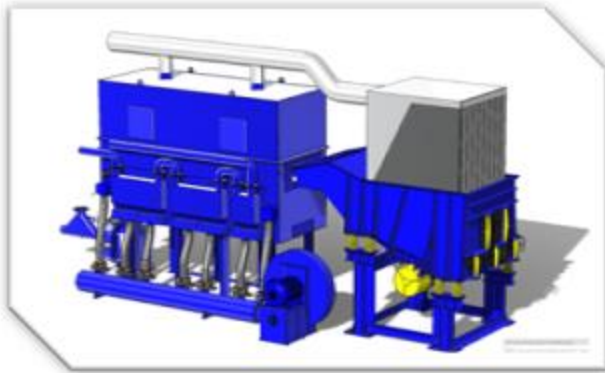
T: 00386 (0)5 384 16 32  
F: 00386 (0)5 384 16 30  
E: [info@siapro.si](mailto:info@siapro.si)





# Classifier Examples

The Foundry Machinery Specialists



SIAPRO d.o.o.  
Postaja 9, 5216 Most na Soči  
EU - Slovenia

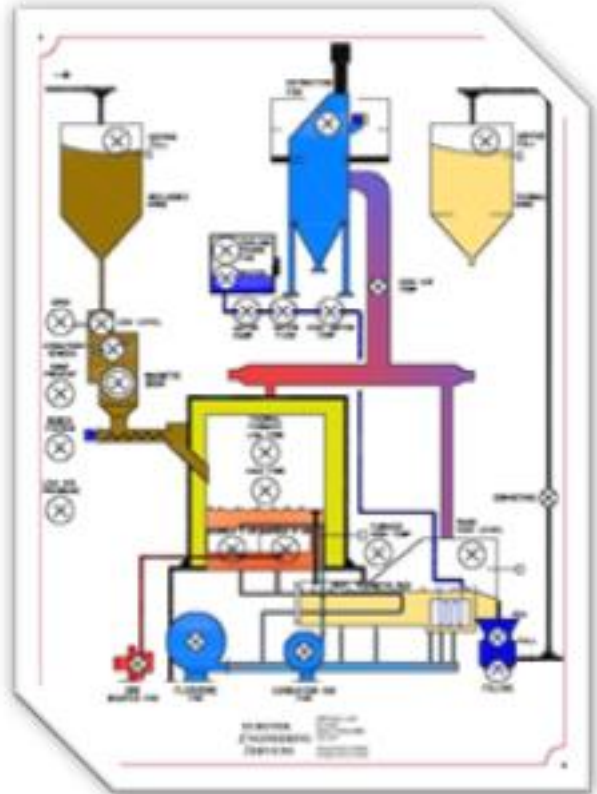
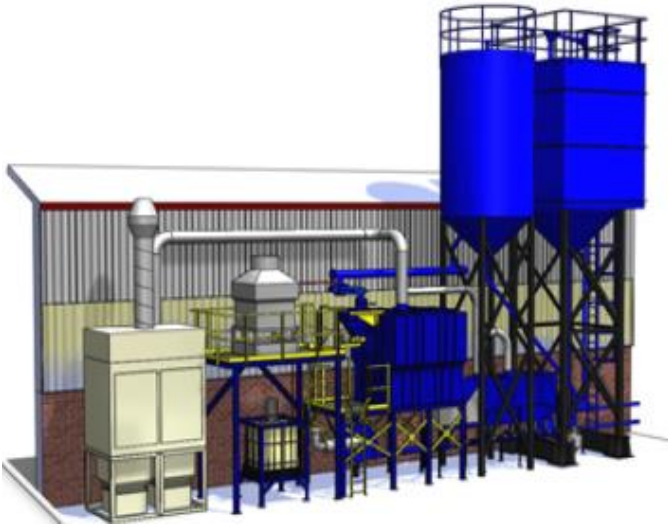
T: 00386 (0)5 384 16 32  
F: 00386 (0)5 384 16 30  
E: info@siapro.si





# Thermal Reclamation

The Foundry Machinery Specialists



SIAPRO d.o.o.  
Postaja 9, 5216 Most na Soči  
EU - Slovenia

T: 00386 (0)5 384 16 32  
F: 00386 (0)5 384 16 30  
E: info@siapro.si

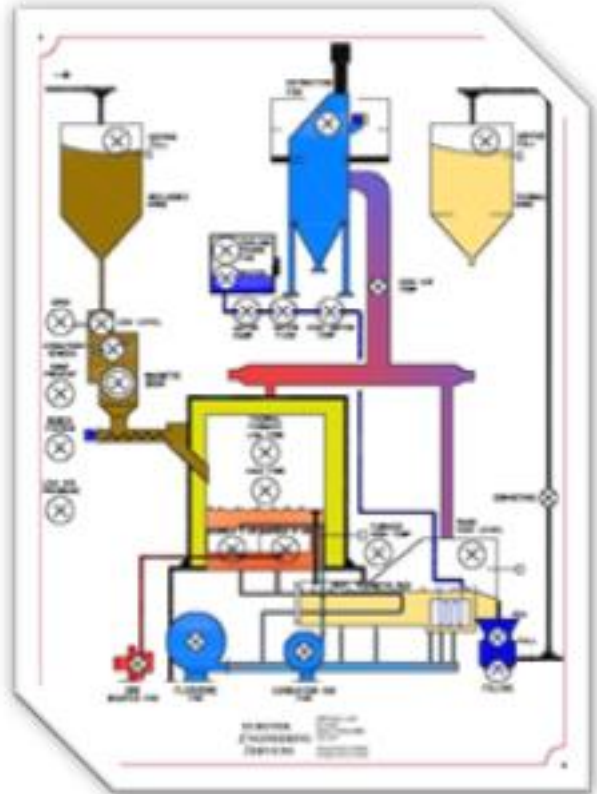
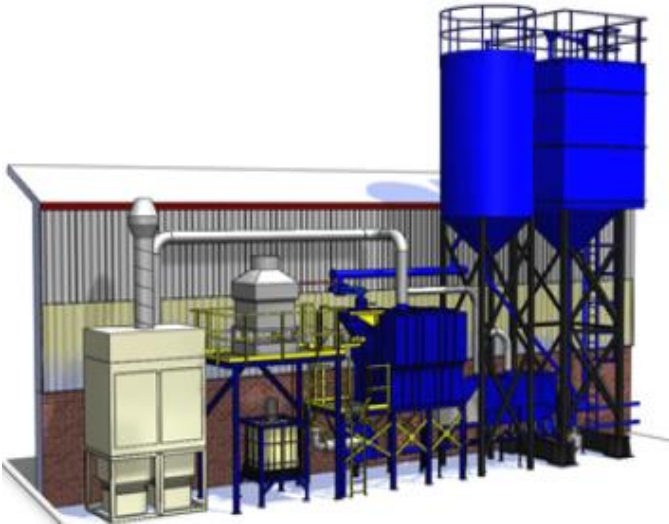






# Thermal Reclamation

The Foundry Machinery Specialists



SIAPRO d.o.o.  
Postaja 9, 5216 Most na Soči  
EU - Slovenia

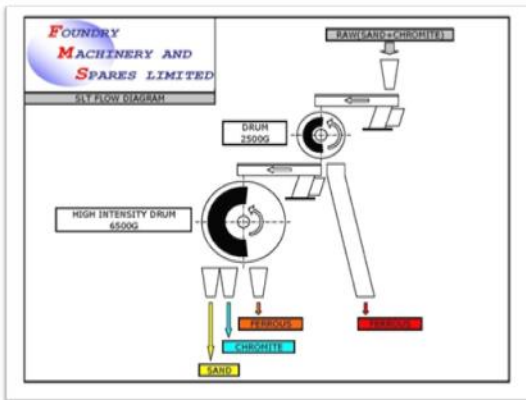
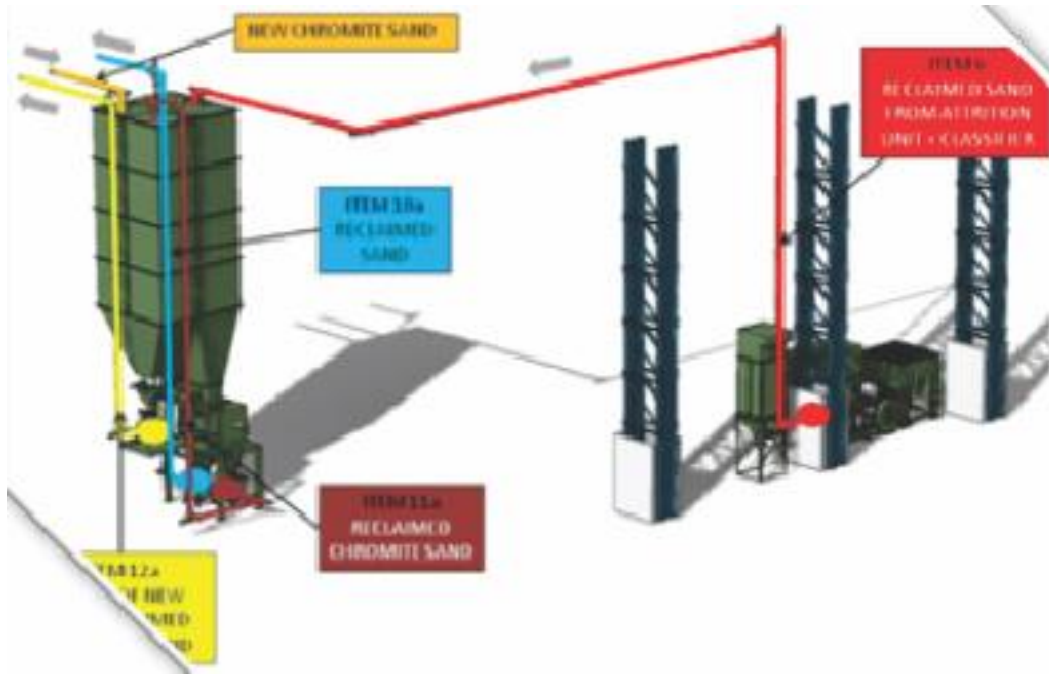
T: 00386 (0)5 384 16 32  
F: 00386 (0)5 384 16 30  
E: info@siapro.si





# Chromite Separation

The Foundry Machinery Specialists



SIAPRO d.o.o.  
Postaja 9, 5216 Most na Soči  
EU - Slovenia

T: 00386 (0)5 384 16 32  
F: 00386 (0)5 384 16 30  
E: info@siapro.si





# Pneumatic Conveyors

## The Foundry Machinery Specialists



SIAPRO d.o.o.  
Postaja 9, 5216 Most na Soči  
EU - Slovenia

T: 00386 (0)5 384 16 32  
F: 00386 (0)5 384 16 30  
E: info@siapro.si





# Pneumatic Conveyors

## The Foundry Machinery Specialists



SIAPRO d.o.o.  
Postaja 9, 5216 Most na Soči  
EU - Slovenia

T: 00386 (0)5 384 16 32  
F: 00386 (0)5 384 16 30  
E: info@siapro.si





# Sand Silos

The Foundry Machinery Specialists



SIAPRO d.o.o.  
Postaja 9, 5216 Most na Soči  
EU - Slovenia

T: 00386 (0)5 384 16 32  
F: 00386 (0)5 384 16 30  
E: [info@siapro.si](mailto:info@siapro.si)

[www.siapro.eu](http://www.siapro.eu)

[info@siapro.si](mailto:info@siapro.si)





# Chemical Distribution

The Foundry Machinery Specialists

Storage / Distribution



SIAPRO d.o.o.  
Postaja 9, 5216 Most na Soči  
EU - Slovenia

T: 00386 (0)5 384 16 32  
F: 00386 (0)5 384 16 30  
E: info@siapro.si

[www.siapro.eu](http://www.siapro.eu)

[info@siapro.si](mailto:info@siapro.si)





# Amine Distribution

The Foundry Machinery Specialists

Storage / Distribution



SIAPRO d.o.o.  
Postaja 9, 5216 Most na Soči  
EU - Slovenia

T: 00386 (0)5 384 16 32  
F: 00386 (0)5 384 16 30  
E: info@siapro.si

[www.siapro.eu](http://www.siapro.eu)

[info@siapro.si](mailto:info@siapro.si)





# Chemical Storage

The Foundry Machinery Specialists



SIAPRO d.o.o.  
Postaja 9, 5216 Most na Soči  
EU - Slovenia

T: 00386 (0)5 384 16 32  
F: 00386 (0)5 384 16 30  
E: info@siapro.si

